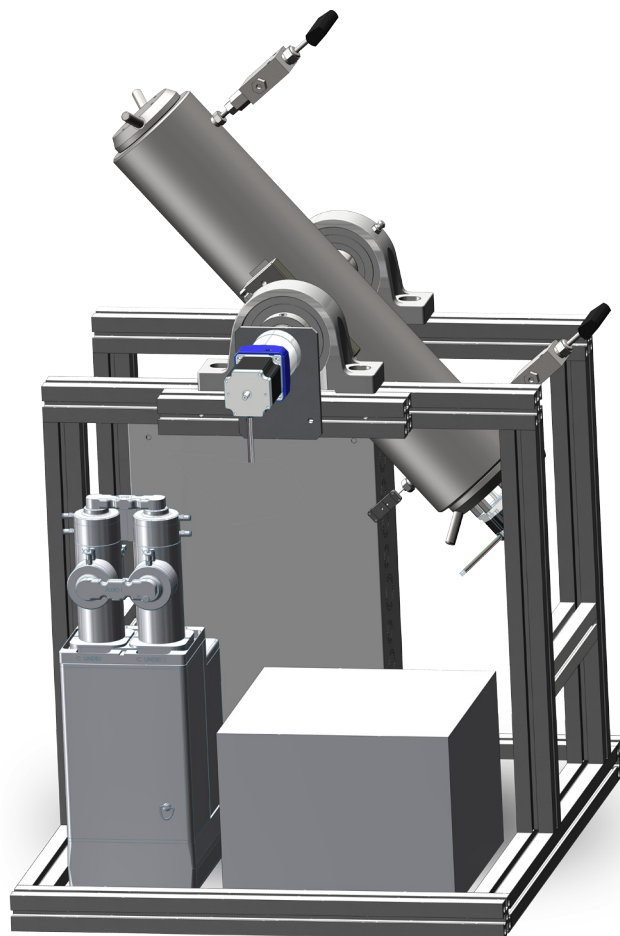


M9730 Recombination Cell

The Grace Instrument M9730 Recombination Cell is designed to inject oil and gas at a predetermined volume, mix them together, and heat the resulting mixture at elevated temperature and pressure to simulate reservoir conditions. The recombination cell is pressurized for a given number of hours above the saturation pressure to produce a homogenous or consolidated mixture of the reservoir fluid.

The recombination cell is heated through a heating jacket via user-controlled temperature settings. A mag-drive stirrer and motorized rocking system are built into the unit to properly mix and agitate samples while they are subjected to high-pressure, high-temperature conditions. A pressure sensor and temperature probe measure pressure and temperature of recombined fluids. A sapphire bullseye window allows the user to observe saturation pressure.

A display/control panel displays temperature and pressure of test fluid, stop/start status of the rocking system, and driving fluid. Heavy duty caster allows the unit to be transported from lab to lab.



Features

- Mercury-free apparatus used to combine liquid samples.
- Heating jacket/mantel allows user to control temperature.
- Volume of separator gas and separator oil are determined by user.
- Can be transferred from recombination cell to a sample piston bottle.
- Analyzes data of GOR, oil shrinkage, and gas compressibility factor.
- Instrument is based on a HP/HT recombination cell.
- Motorized rocking jacket and magnetic drive stirrer included for proper agitation and mixing procedures.
- Pressure sensor and temperature probe measures pressure and temperature of recombined fluids.
- Sapphire bulleseye window allows observation of saturation pressure.
- Temperature and pressure display/control panel.
- Unit easilly moved lab to lab.

Specifications

Cell Type:	Floating Piston
Cell Volume:	2,000 ml (2,000 cc)
Motor Type:	Motorized
Max Working Pressure:	15,000 psi (~1,034 bars)
Max Working Temp:	Ambient to 350° F (175° C)
Pressure Accuracy:	0.1% FS
Temperature Accuracy:	±0.5 °C
Wetted Material:	Stainless Steel SS-316
Viewing Window:	Sapphire Bullseye
Electrical Requirements:	220V AC, 50 or 60 Hz, 1 ph
Dimensions:	24" W x 19" D x 40" H
Weight:	300 lb
Warranty:	1-Year Limited
Spare Parts Kit:	1-Year
Installation/Training:	3 Business Days
(Sold Separately)	